

3P RainForce T Series

Installation and Operation Manual

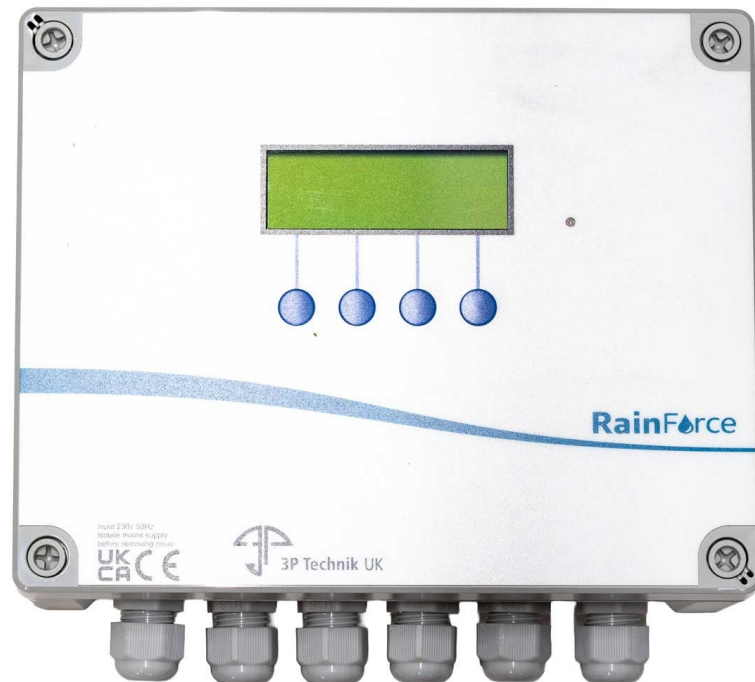


Table of Contents

Installation	4
Safety.....	4
Included Components.....	4
Required Components.....	4
Optional Components.....	4
Layout.....	5
Typical Submerged System Layout.....	6
Typical Surface Mounted system Layout.....	7
System Wiring Schematic – Single Phase.....	8
System Wiring Schematic – Three Phase.....	9
Control Panel Mounting.....	10
Connections.....	11
Mains Power Connection.....	11
Pump Power Connections.....	11
Solenoid Power Connections.....	11
BMS connection.....	11
Delivery line pressure sensor connection.....	12
Rainwater tank sensor and connection.....	12
Auxiliary Inputs.....	13
Float Switch.....	13
Pressure Switches.....	13
External Trips.....	14
Pressure Vessel Installation.....	14
Troubleshooting.....	15
Fuse Listing.....	18
Inputs (left to right) – Con1.....	18
Pressure Sensor Inputs (left to right).....	19
BMS Output.....	19
Pump/Solenoid Control Outputs (left to right).....	19
Specifications.....	20
Control Panel.....	20
RW Tank Pressure Sensor (300T).....	20
Line Pressure Sensor.....	20
Switched Outputs (pump/solenoid control).....	20
Operation	21
Safety Considerations.....	21
Description of Operation.....	21
Control Panel Operations.....	22
Startup Screen Menus and Functions.....	23
Rainwater Level Display.....	23
Accessing the Menu Options.....	23
Status Screen and Operational Modes.....	24
Source Control (Auto/Rain).....	24
Menu Options, Button 1 - Configuration and Diagnostics.....	24
Rainwater Tank Menu (RW Tank Menu).....	24

Reset Rainwater % (Reset RW %)	24
Minimum Rainwater Level Control (Min RW Lvl)	24
Pump Control (Pump Ctrl)	24
Pump Selection (Pumps)	25
Pump Pressure Adjustment	25
Pressure Vessel Test Enable/Disable	25
Alarm (Pump Pressure Alarm)	26
Top-up Menu	26
Top-up Cut-in Level Adjustment(Level)	26
Top-up Delays	26
Top-up Overfill Delay	27
Pump Restart Delay	27
Top-up Duration Alarm	27
Diagnostics Menu	27
Input Monitor	27
Output Testing	28
Fault Code List	28
Clear Stored Fault Codes	29
Run	29
Stop	29
Menu	29
Wipe Configuration (Wipe Config)	30
Restart	30
Optional Failover and Pump Protection Features	30
Float Switch (Level sensor failure)	30
Pressure Switches (Line pressure sensor failure)	30
External Trips (Thermal overloads etc)	30
Troubleshooting	31
Fuse Listing	34
Inputs (left to right) – Con1	34
Pressure Sensor Inputs (left to right)	34
BMS Output	35
Pump/Solenoid Control Outputs (left to right)	35
Upgrades and Modifications	35
Warranty	35
Specifications	36
Control Panel	36
RW Tank Pressure Sensor (300T)	36
Line Pressure Sensor	36
Switched Outputs (pump/solenoid control)	36
Electrical Schematic	37

Installation

Safety

Mains Voltage – There are exposed electrical conductors inside this appliance. This appliance must be installed and serviced by a competent electrical technician to the current requirements of BS7671 and IEEE recommendations. Before servicing this appliance, normal safe isolation procedures should be implemented.

Do not touch the PCB while energised, it carries mains voltage.

Do not touch any connection terminals while energised.

Do not attempt to service this item when wet, or in a wet or high humidity environment.

If the housing of the control panel becomes damaged, you must shut down and securely isolate this appliance immediately.

You must connect this appliance to a grounded 3 wire supply, protected by suitable overload protection. Connected pumps and solenoids are earthed via the control panel, and may otherwise become live.

If the power cables are damaged, either to or from the controller then shut down and isolate this appliance.

The combined loading of pumps and solenoids connected to this appliance must not exceed 20A using the supplied mains flex. Contact the manufacturer for advice if you need to exceed this rating.

Do not attempt to repair any part of the circuit board. Refer to the manufacturer for advice.

Included Components

1 x Control Panel

4 x Mounting brackets

1 x 10bar Pressure Sensor with 1/4" BSP process connection

1 x 0.6bar (6 metre depth) Submersible Pressure Level Sensor with 10m cable

1 x 1" Brass T-Piece (to fit pressure vessel and line pressure sensor)

Required Components

Pressure Vessel

Optional Components

Float switch (backup to the pressure level sensor)

1 or 2 Mechanical pressure switches (backup to the 10bar pressure sensor)

Backup sensors are low cost mechanical sensors which allow the system to keep operating during failure of an electronic sensor, with reduced performance/functions.

Layout

Unlike integrated wall mounted controllers, the 3P Rainforce is part of a modular system and does not contain a pump, solenoid, or mains top-up unit, these items are external to the control panel. This means you can install the control panel anywhere you wish within the building.

You will need to consider the following constraints,

The control panel, cannot be mounted outside or in high humidity environments, it is not weather resistant.

The line pressure sensor, it's cabling and joints (if any), and solenoid valves usually cannot be mounted outside or in high humidity environments unless specified for such use.

Submersible pumps, tank turret connections, floating intakes, lifting chains, rainwater filters, calmed inlets, attenuation regulators usually can be fitted outside or submerged. Please refer to separate instructions for these products.

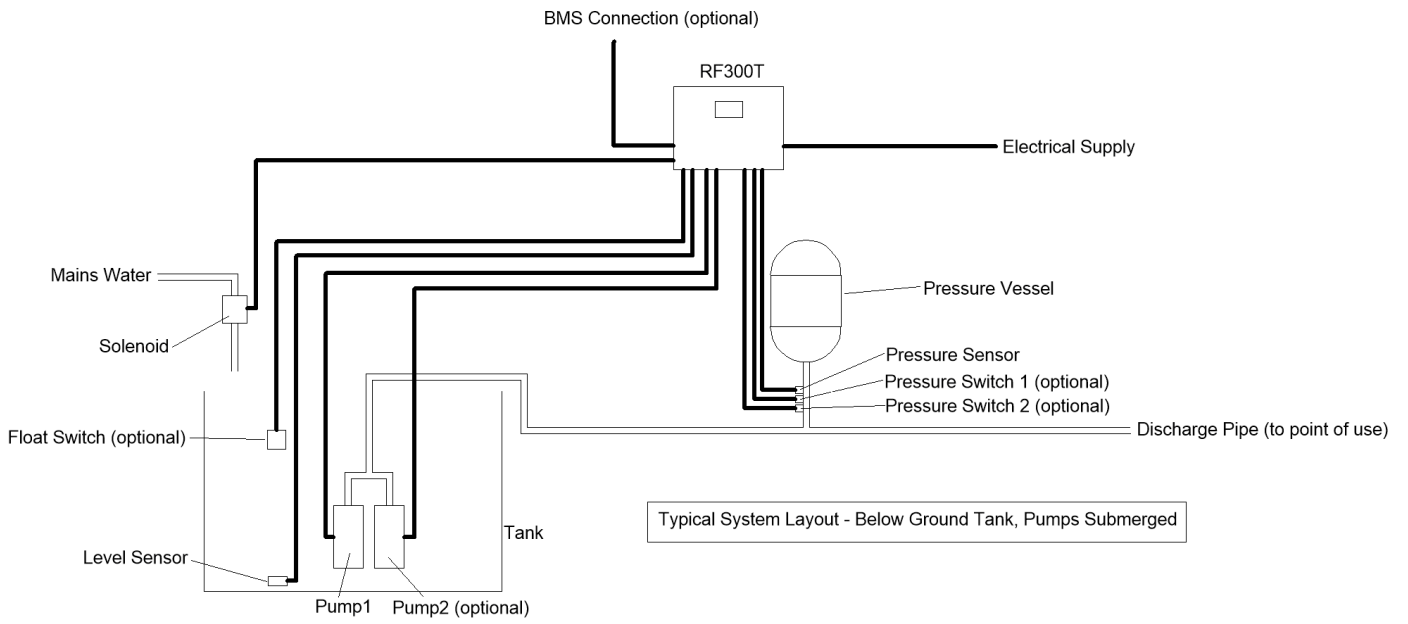
The submersible level sensor is designed to be submerged. Any wiring connection to this must be IP68 rated or above and should be of a vented design to remain accurate as air pressure varies.

Voltage drop will affect the cable size needed to take power to your pumps. Over very long runs, you may find it more economical to install contactors near to the pumps, allowing you to control the pumps with a sensible cable size. It is strongly recommended that you calculate voltage drop for cable runs which exceed the length of cable supplied with the pump. Failure to do so may result in cable overheating, conductor migration, and risk of fire. The same caution applies to solenoid valves, although the current draw is usually so small that only extreme distances are likely to present a problem.

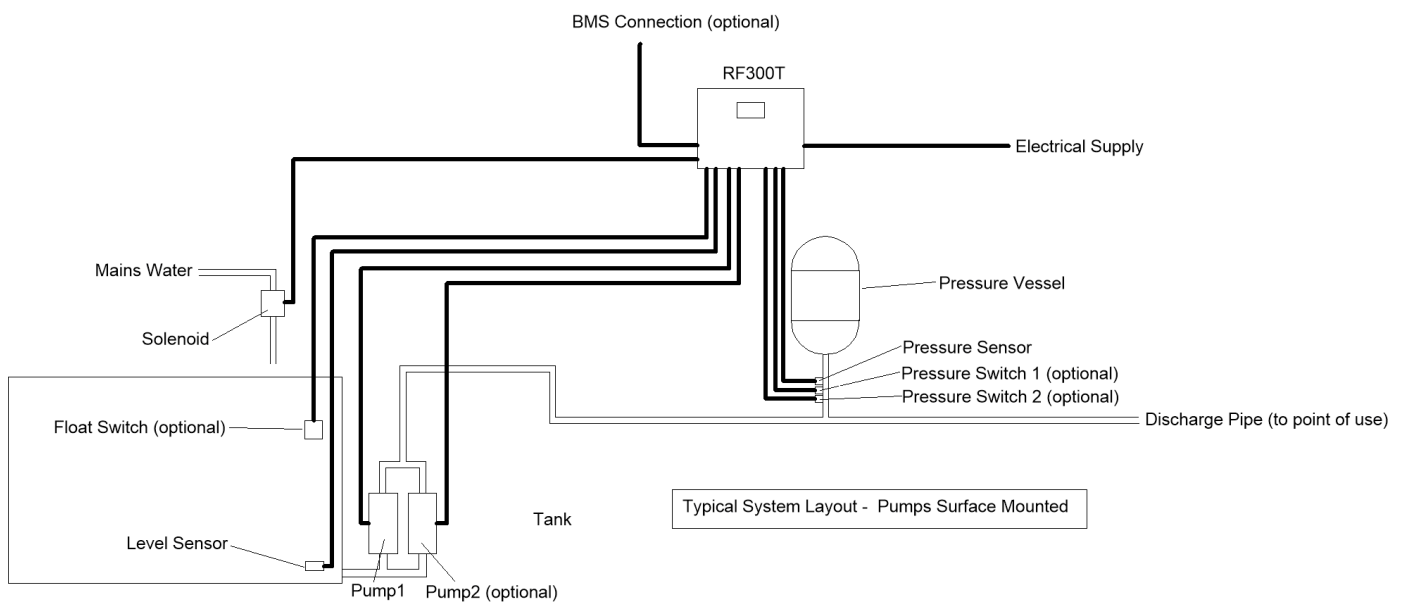
Depending on model, you will have either a pressure transmitter, designed to provide exact water level information to the control panel, or a conductivity probe, designed to sense the presence of water and indicate availability of rainwater or not. Cables extension is straightforward for both types of cable, and shielding is not required. Pressure transmitter cable must be of a special type incorporating a vent tube to equalise the pressure within the transmitter to atmospheric pressure (3P part no. IRVENT). Conductivity probe cable is 2 core 0.5mm² unshielded.

For the extension of either type of cable we recommend an IP68 cable joiner 3P Part number X20BKSD.

Typical Submerged System Layout

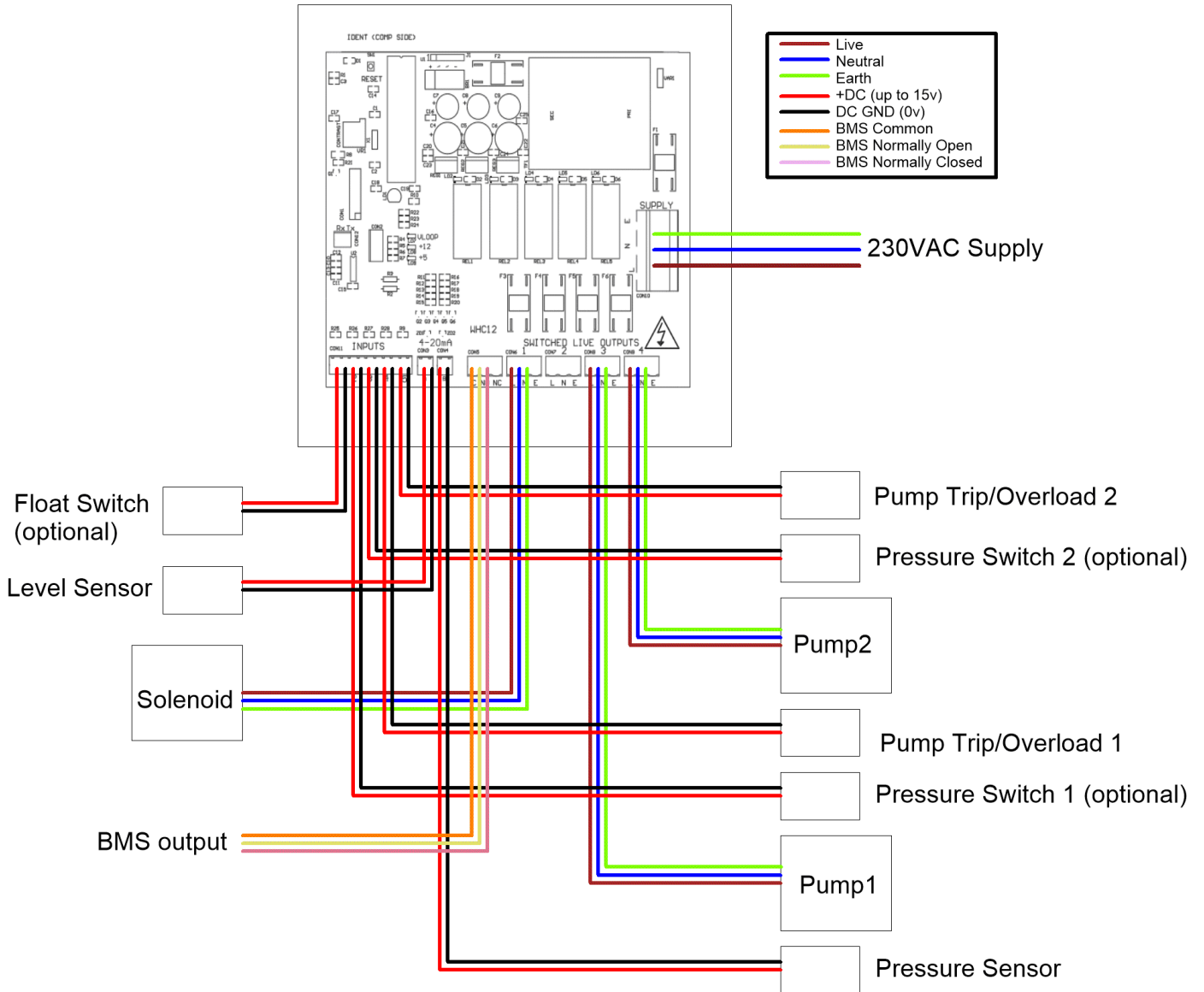


Typical Surface Mounted system Layout

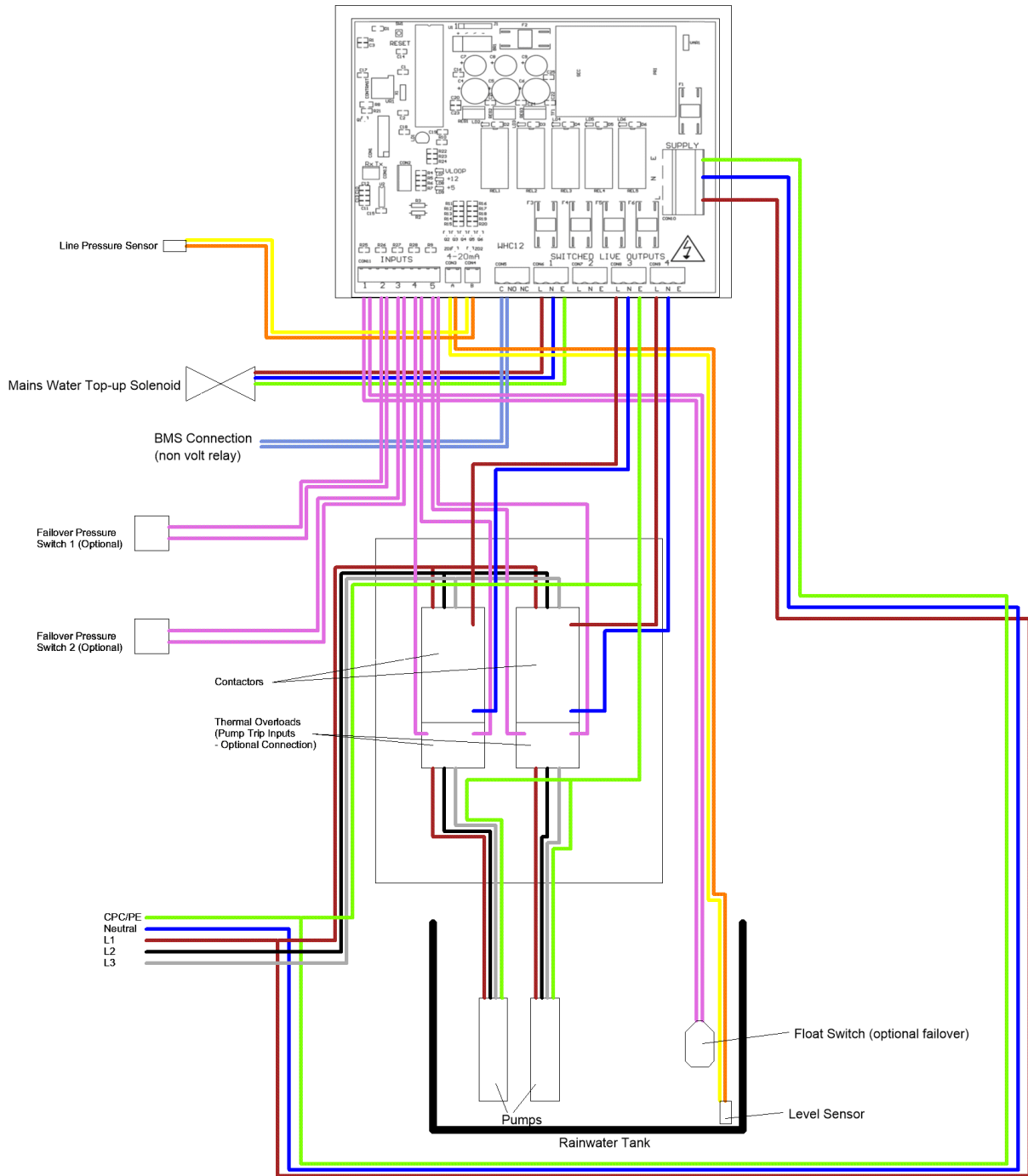


System Wiring Schematic – Single Phase

RF300T v1.92 Electrical Schematic

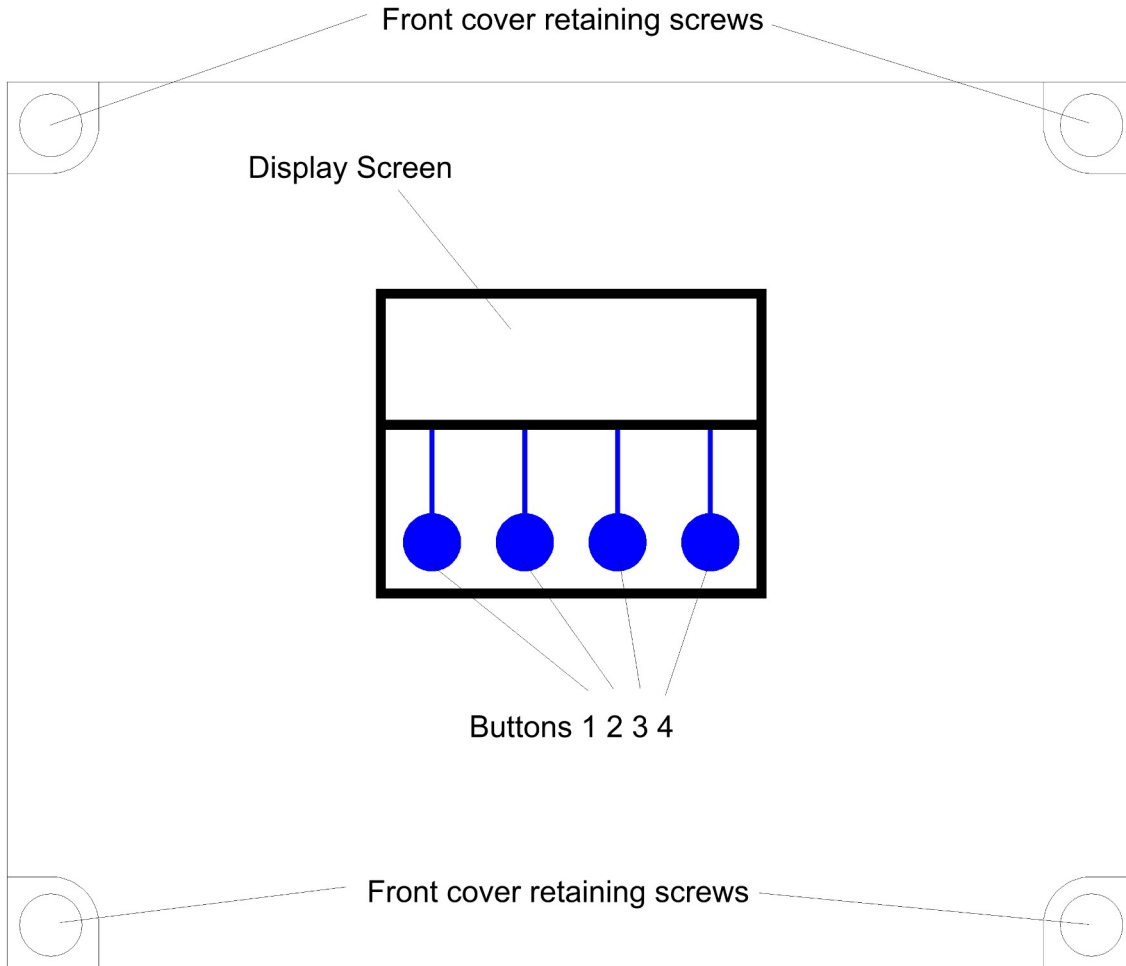


System Wiring Schematic – Three Phase



Control Panel Mounting

Having selected a suitable location, unlock the 4 locking screws on the corners of the front cover and withdraw the front panel. The LCD display, buttons and alarm LED are connected to the PCB. Remove and replug these cables afterwards if necessary in accordance with the diagram.

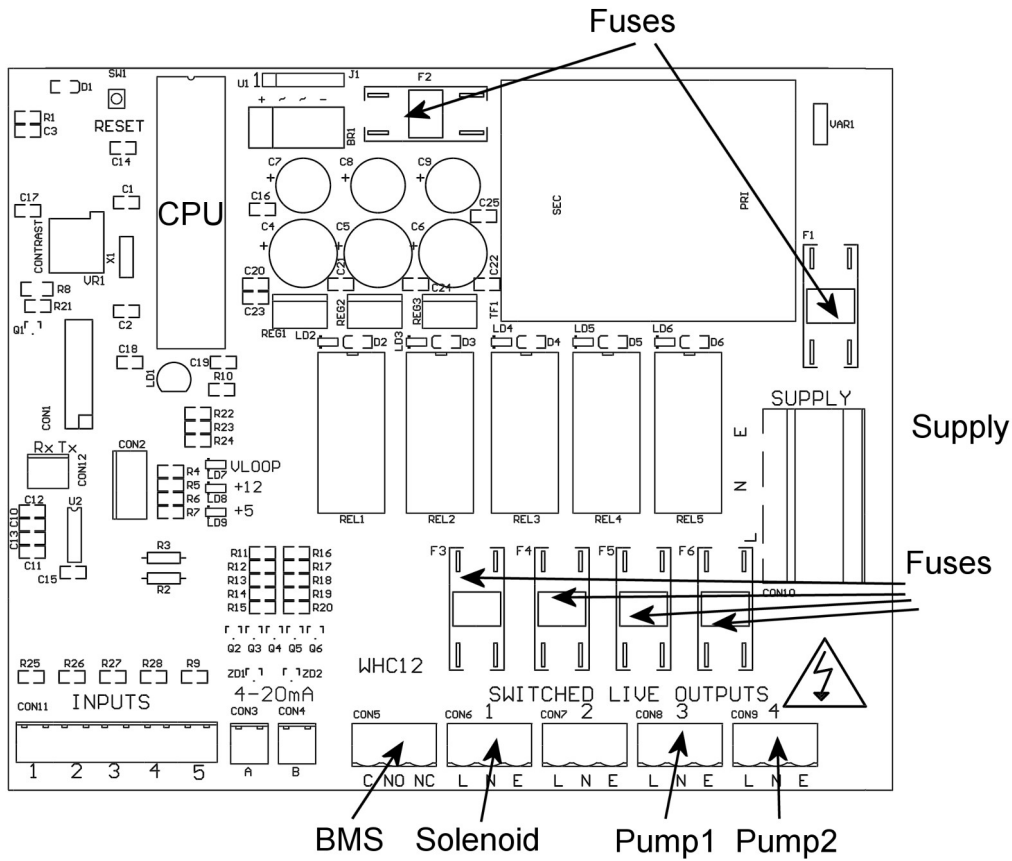


The 4 screw mounting holes are located on the main enclosure in recesses adjacent to the front panel mounting holes. Mark drilling points on the wall accordingly. Withdraw the casing from the wall and drill holes appropriate for your selected fixings.

Connections

Mains Power Connection

The power supply to the control panel enters via a cable gland on the bottom right of the housing. Insert the cable, connect to the incoming power terminal on the right of the PCB, and tighten the cable gland.



Pump Power Connections

Pumps are powered from the rightmost green terminals on the lower right of the PCB. Terminal 3 (con8) supplies pump1 and terminal 4 (con9) supplies pump2. The terminal blocks are socketed and can be withdrawn from the PCB for ease of access.

Solenoid Power Connections

Solenoids are powered from terminal 1 (con6). Connect as with pump connections.

BMS connection

The BMS connection provides a non-voltage relay capable of switching any 230V source up to 10A. Three contacts are provided, Common, NO and NC. Connect your live conductor from the BMS system to Common, and output will be switched to NC in the absence of an alarm condition, switching to NO upon an alarm.

Delivery line pressure sensor connection

Screw the pressure sensor into the port on the side of the T-piece attached to the pressure vessel. The pressure sensor connects with a 2 wire cable to connector CON4.

Terminals are

Left - +15v supply, connected to terminal 1 of the sensor

Right - 0v return (ground + signal return)

Rainwater tank sensor and connection

The pressure transmitter should be lowered onto the bottom of the rainwater tank and not suspended.

Terminals are

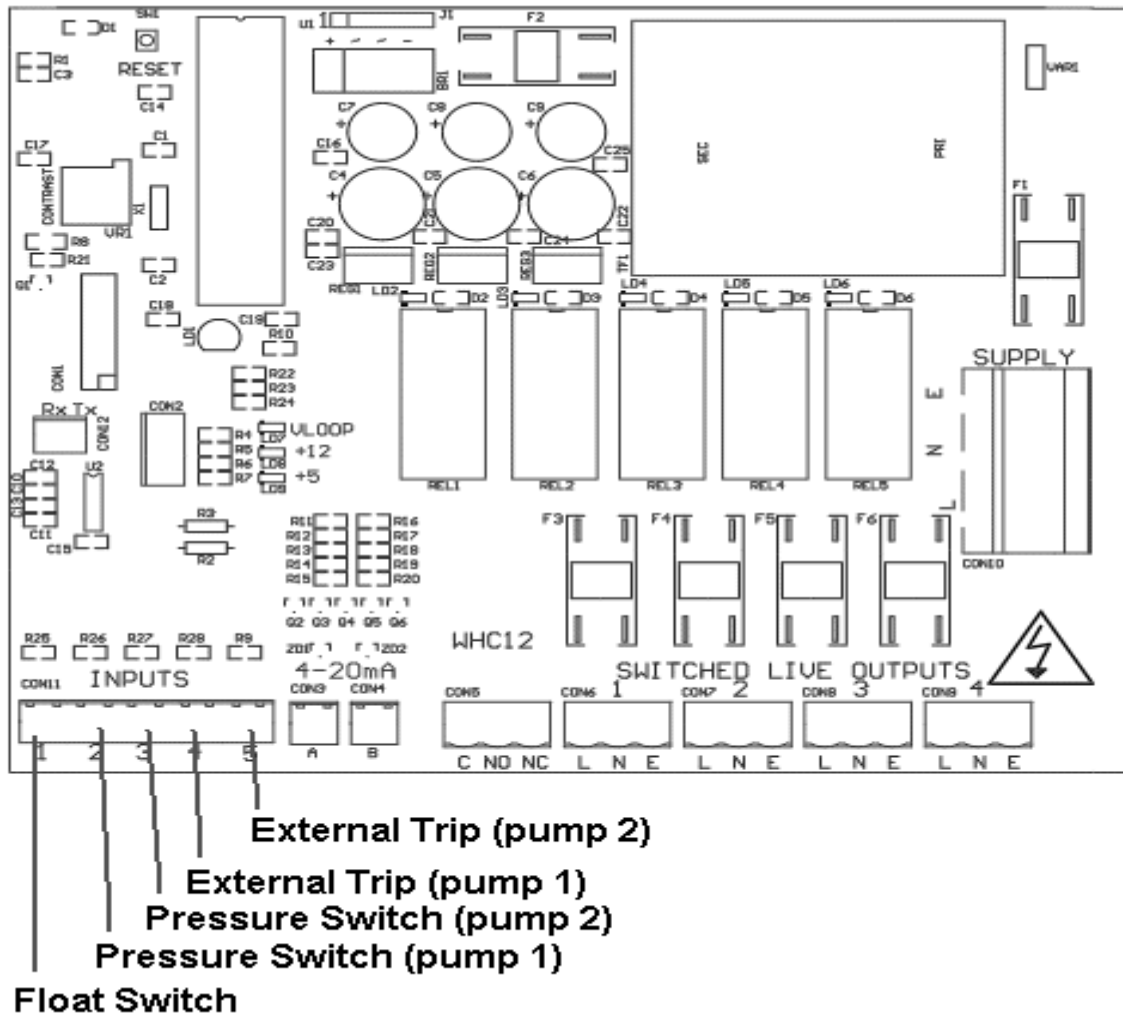
Left - +15v supply, connected to terminal 1 of the sensor

Right - 0v return (ground + signal return)

Auxiliary Inputs

(Note – all these connections are optional additional features, they need not be used unless required).

All auxiliary inputs are non-voltage (i.e. switches, don't put a voltage output into them).



Float Switch

Connecting a 2 wire float switch to this digital input 1 will allow the unit to fail over to float switch operation in the event of a level sensor failure or disconnection.

The float switch should be connected so that it is closed when water is present and open at the low water / pump protection level.

Pressure Switches

Connecting one of two mechanical pressure switches to digital inputs 2 and/or 3 will allow pumps to run even in the event of a line pressure sensor failure or disconnection. These should be closed circuit at low pressure.

External Trips

Digital inputs 4 and 5 will trigger a pump fault and failover when closed and may be used with thermal overloads

Pressure Vessel Installation

The pressure vessel must be installed. Compression of gas within the vessel provides a delayed accumulation and release of pressure, which this controller utilises in order to adjust the delivery line pressure using manual pumps, without the need for a variable frequency drive controller. It also substantially reduces power consumption, both by means of its own storage capacity, and by allowing the controller to run the pumps within the most efficient part of their pressure curve.

Ideally this pressure vessel should be installed within the building as close to the pumps as possible. Do not install the pressure vessel inside the rainwater tank, or outside the building.

The brass T-piece supplied screws on to the thread on the pressure vessel, and has a threaded port to accommodate the delivery line pressure transducer. This must be screwed on and properly sealed to the vessel. You can now make connection to the delivery line, using an appropriate T-piece to tee off from the delivery line. If however your pumps are installed within the building, you can join to the delivery manifold of your pump set.

In order to achieve full efficiency, the precharge pressure within the vessel must be adjusted such that the vessel fills and empties within the cut-in and cut-out pressure required within the building. For most applications the pump cut in pressure of 1.5 bar will be suitable, for tall buildings, the cut in pressure will need to be higher.

Using the valve attached to the end of the vessel, attach a tyre pressure gauge, and release pressure until you achieve the right pressure as indicated below.

If the delivery line is empty (system can not yet been run), set the vessel to a pressure equal to or slightly above the intended cut-in pressure + expected static head.

If the delivery line contains water (system has been run), then there will most likely be a head of static water pressure in the delivery line above the vessel (0.1 bar for every metre or height).

The controller is not limited to working at this pressure and can still be adjusted, but will now be most efficient around this cut-in pressure.

We recommend that the product and its installation should be fully tested after installation and be inspected and tested periodically thereafter.

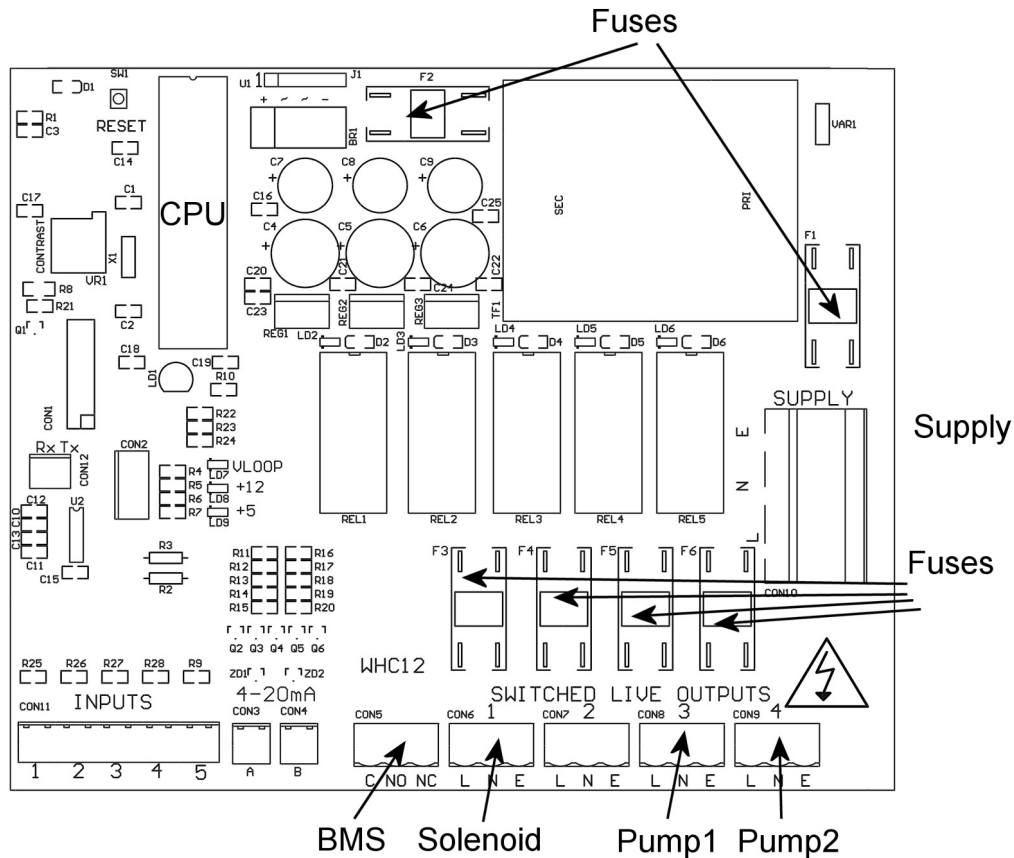
Troubleshooting

Refer to the Safety instructions. No electrical works should be carried out other than by an appropriately qualified Electrician. Permits to work may be required at local site conditions. If in any doubt, consult your system supplier.

Problem	Probable Cause	Solutions
No Power – controller dead – no backlight on LCD	No power supply from distribution board	Check 240 vac 50hz supply at power input terminals.
	Fuse failed	Check Fuse F1
	PCB damaged	Replace PCB, contact manufacturer.
Backlight on – no display – no operation	CPU chip missing	Insert CPU
	CPU chip badly inserted or bent pins	Insert CPU correctly or replace if necessary
	CPU chip wrong way round	Remove and re-insert correctly Replace CPU
	CPU chip faulty	Replace PCB, contact manufacturer.
PCB damaged	Replace PCB, contact manufacturer.	
Controller Frozen – operates normally but keypad unresponsive	Keypad not connected or connected wrongly	Check connection
Controller Frozen – does not operate normally	CPU or oscillator damaged	Replace CPU, if no success replace PCB
Tank level sensor does not function (error 6)	Not connected	Check wiring to controller
	Connected wrongly	Check wiring polarity and correct if needed
	Sensor faulty	Test with 4-20mA current loop calibrator, replace sensor if necessary
	Input circuit faulty	Test with 4-20mA current loop calibrator, replace PCB if necessary
Tank Level sensor reads incorrectly	Cable vent tube blocked or sealed	Ensure vented section of cable terminates to atmospheric pressure
	Wrong sensor specification	Replace with original OEM spec

	installed	part
	Sensor faulty	Test with 4-20mA current loop calibrator, replace if necessary
Line pressure sensor does not function (error 7)	Not connected	Check connection at control panel
	Connected wrongly	Check wiring polarity and correct if necessary
	Sensor faulty	Check with loop calibrator and replace if necessary
	Input circuit faulty	Test with loop calibrator, replace PCB if necessary
Line pressure sensor reads incorrectly	Wrong sensor specification installed	Replace with original OEM spec part
	Sensor faulty	Test with loop calibrator, replace sensor if necessary
	Input circuitry faulty	Test with loop calibrator, replace PCB if necessary
Pump 1 Insufficient or Faulty	Pump not connected	Check wiring
	Pump cannot keep up with demand	Replace with correctly sized pump
	Pump faulty	Replace pump
	(this fault can show temporarily when filling a large header tank for the first time, in which case it should be ignored).	
Pump 2 Insufficient or Faulty	Pump not connected	Check wiring
	Pump cannot keep up with demand	Replace with correctly sized pump
	Pump faulty	Replace pump
	(this fault can show temporarily when filling a large header tank for the first time, in which case it should be ignored).	
Pump 1 Disabled	Pump not connected for over 20 minutes	Check wiring

	<p>Fuse failed on output</p> <p>Pump cannot keep up with demand for over 20 minutes</p> <p>Pump faulty (most likely)</p>	<p>Check and replace if necessary</p> <p>Replace with correctly sized pump</p> <p>Replace pump</p>
Pump 2 Disabled	<p>Pump not connected for over 20 minutes</p> <p>Fuse failed on output</p> <p>Pump cannot keep up with demand for over 20 minutes</p> <p>Pump faulty (most likely)</p>	<p>Check wiring</p> <p>Check and replace if necessary</p> <p>Replace with correctly sized pump</p> <p>Replace pump</p>
Top-up Solenoid Faulty or Insufficient	<p>Solenoid cannot keep up with demand</p> <p>Fuse failed on output</p> <p>Solenoid not connected</p> <p>Solenoid faulty</p>	<p>Replace with correctly sized solenoid</p> <p>Check fuse and replace if necessary</p> <p>Check wiring</p> <p>Test and replace if necessary</p>



Fuse Listing

- F1 – 500mA 20mm quickblow
- F2 – 1A 20mm glass passivated
- F3 – 10A 20mm glass passivated
- F4 – 10A 20mm glass passivated
- F5 – 10A 20mm glass passivated
- F6 – 10A 20mm glass passivated

Inputs (left to right) – Con1

- 1 – Backup Float Switch (if fitted)
- 2 – Optional Pump Pressure Switch – Pump 1
- 3 – Optional Pump Pressure Switch – Pump 2
- 4 – Relay from external trip – Pump 1
- 5 – Relay from external trip – Pump 2

External trip devices can be any additional circuit protective device with a normally open relay output, such as thermal overloads, over/undercurrent relays, residual current devices, earth leakage circuit breakers, etc. Note that no provision has been made for detection of contactor failure, this will be detected in any case by software and reported as a general pump failure thus isolating the failed circuit.

Pressure Sensor Inputs (left to right)

Con3 (left) – Rainwater tank level sensor

Con4 (right) – Line pressure sensor

BMS Output

Type – Non contact relay

Terminals – Common, Normally Open, Normally Closed

Power Rating max 10A 230Vac

Pump/Solenoid Control Outputs (left to right)

1 – Top-up solenoid(s)

2 – (reserved for future upgrade)

3 – Pump1

4 – Pump2

Specifications

Control Panel

Dimensions	240mm x 190mm x 110mm
Supply Voltage	230-240 Vac 50Hz
Power Consumption	7w (control panel only)
Operating temperature range	0 to 40 degrees celsius
Ingress Protection (EN60529)	IP65
Electrical Insulation	Class 2

RW Tank Pressure Sensor (300T)

Type	Pressure Transmitter 2 wire
Measurement Range	0-0.6 bar
Input	8 to 30 Vdc
Output	4-20mA

Line Pressure Sensor

Type	Pressure Transmitter 2 wire
Measurement Range	0-10 bar
Input	8 to 30 Vdc
Output	4-20mA

Switched Outputs (pump/solenoid control)

Voltage	230-240vac 50hz (exact voltage as supply voltage)
Current	10A (peak 16A)

Operation

Safety Considerations

Mains Voltage – There are exposed electrical conductors inside this appliance. This appliance must be installed and serviced by a competent electrical technician to the current requirements of BS7671 and IEEE recommendations. Before servicing this appliance, normal safe isolation procedures should be implemented.

Do not touch the PCB while energised, it carries mains voltage.

Do not touch any connection terminals while energised.

Do not attempt to service this item when wet, or in a wet or high humidity environment.

If the housing of the control panel becomes damaged, you must shut down and securely isolate this appliance immediately.

You must connect this appliance to a grounded 3 wire supply, protected by suitable overload protection. Connected pumps and solenoids are earthed via the control panel, and may otherwise become live.

If the power cables are damaged, either to or from the controller then shut down and isolate this appliance.

The combined loading of pumps and solenoids connected to this appliance must not exceed 20A using the supplied mains flex. Contact the manufacturer for advice if you need to exceed this rating.

Do not attempt to repair any part of the circuit board. Refer to the manufacturer for advice.

Description of Operation

The 3P RainForce T series is an advanced rainwater manager, designed to manage the supply of water from an underground rainwater harvesting tank to supply points within the building under direct pressure. Like all RainForce commercial controllers it has been designed to prioritise maximum availability of water (preferring rainwater where possible) with minimal power consumption, whilst keeping possible points of failure to a minimum.

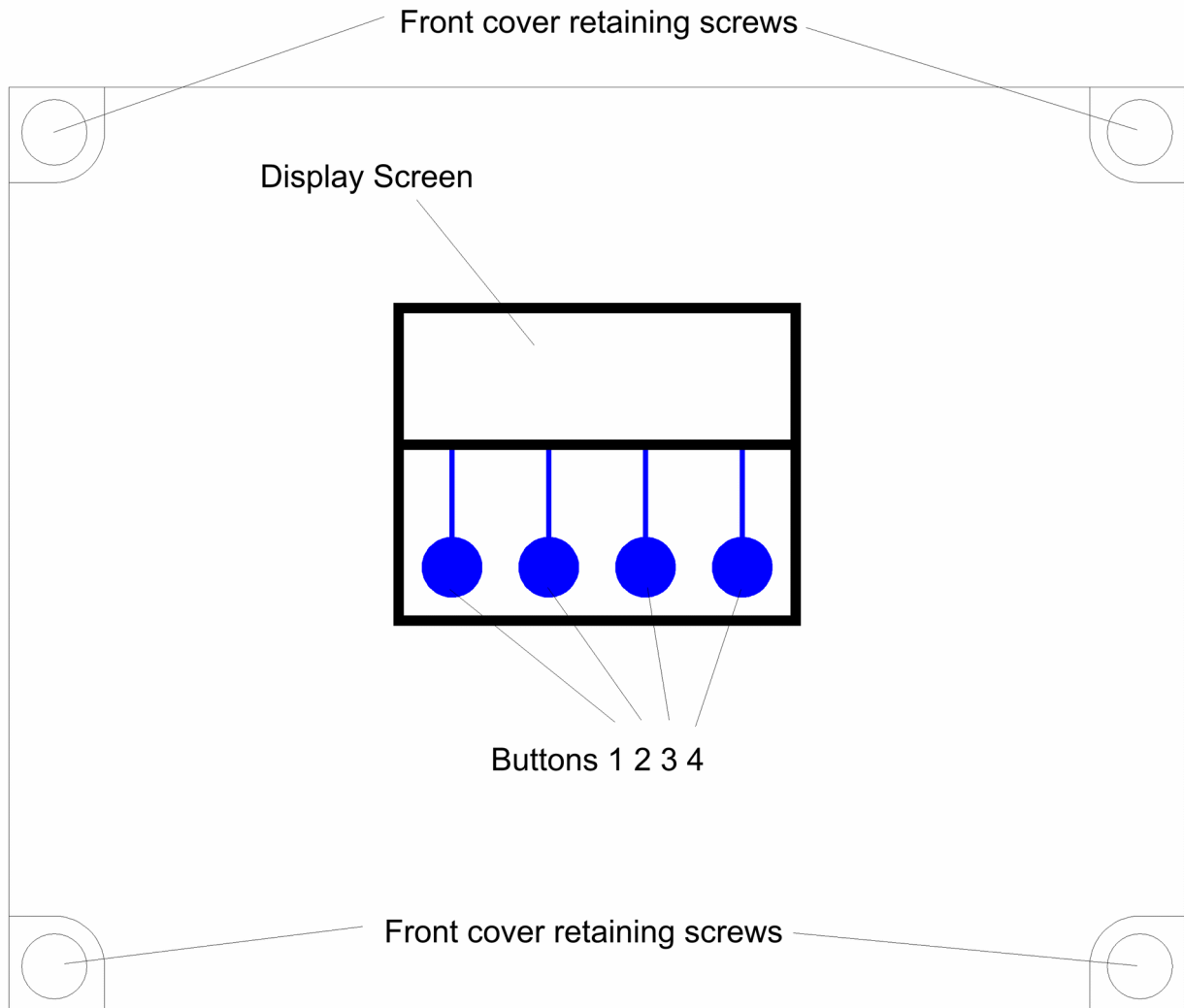
Pump control is provided via direct mains voltage outputs from the control panel, operating as necessary to maintain an optimum pressure range (adjustable). Duty standby and duty assist are supported. Pumps may be run either in alternation, or with 1 active and 1 redundant spare. Faulty pumps are automatically retired.

There is no requirement for pumps to be matched, or for any specific model to be used in conjunction with this controller so long as they meet the minimum required pressure. Automatic pumps may also be used if the additional security of dry run protection is desired, although pump cut in/out function will be taken over by the RainForce controller.

Mains water backup is provided by a top-up solenoid, directly filling the rainwater tank to a specified minimum level + time delay to reduce unnecessary solenoid wear (all functions adjustable). An anti-blocking

cycle runs after 72 hours of solenoid valve inactivity, opening the solenoid briefly to reduce the likelihood of blockages.

Control Panel Operations



Startup Screen Menus and Functions

Upon first applying power,

The following screens will be displayed.

Model

RF200T

RF300T

Push either button 1 to select RF200T (float switch in rainwater tank) or button 4 to select RF300T (analogue level sensor in rainwater tank).

Main Pumps

Single

Dual

Push button 1 or 4 to select whether this is a 1 or 2 pump system

Backlight

Always
On

Timeout
10min

Choose whether you want the backlight for the LCD screen permanently on or to go off after a time when left without user activity, this won't switch off the display only the backlight which will immediately light up again once any button is pushed or any alert is displayed.

The system will then restart and show a startup message followed by automatic calibration of the rainwater tank sensor for approximately 3 seconds, and then immediately commence operation. The main screen displays the following information:

Rainwater Level Display in %
Delivery Line Pressure (in bar)
Pump Status (on/off)

Rainwater Level Display

The current rainwater level will be shown in %, and is measured by a submerged pressure sensor at the bottom of the rainwater tank. The scale is adjusted automatically as the control panel learns the maximum and minimum rainwater levels within the tank, with 0% being the minimum height of water detected during operation, and 100% being the highest water level detected. Initially therefore, the display will be inaccurate until the rainwater level changes. This does not affect other level related functions such as top-up level, etc.

Accessing the Menu Options

The last line of the display always shows up to four menu options, which can be selected by pressing one of the four corresponding buttons beneath the display. The menu options displayed will change as you enter different areas of the software.

Status Screen and Operational Modes

Source Control (Auto/Rain)

While in the main status screen, button 2 can be used to change the preferred water source. By default this is set to Auto, but can be changed as described below.

i) Auto – In this mode rainwater is used when possible, topping up the tank with a small amount of mains water when necessary.

ii) Rain – In this mode only rainwater will be used. No mains water will be used to maintain availability of water within the tank. When the rainwater supply is exhausted, operation will be paused until the rainwater supply is replenished.

Menu Options, Button 1 - Configuration and Diagnostics

All other options relating to configuration and diagnostics, can be found via Button 1 from within the status screen. Whilst in this area all operation is halted while parameters are being set by the operator. To exit press “run”.

Rainwater Tank Menu (RW Tank Menu)

All options under this menu are related to operations within the rainwater tank.

Reset Rainwater % (Reset RW %)

Selecting this option will cause the control panel to disregard previously learned water depths within the rainwater tank. The system will then re-learn the maximum and minimum water levels over time.

Minimum Rainwater Level Control (Min RW Lvl)

This setting allows you to change the level at which the rainwater tank is considered empty, and pumping will cease to prevent dry-running and preserve enough water to protect submerged pumps against frost. The default level is 60cm. *NOTE – it is essential that you allow sufficient depth of water above the pump to protect the pump from frost during the winter, we would suggest a minimum of 20cm above the top of the pump.*

Pump Control (Pump Ctrl)

This is a submenu containing functions related to pump selection and pressure.

Pump Control Menu

Pressure
Pumps Alarm Exit

Pump Selection (Pumps)

Here you can select which pump you would like to use. The default setting is Pump 1. If your system has 1 pump only then you should leave it on this setting.

If you have a second pump fitted. You can choose to either leave it as a redundant spare, or to run in twin pump mode (duty assist with pump alternation).

In the event that a pump fails to produce sufficient pressure, a warning will be activated, and the pump abandoned. The system will now run in single pump mode using the remaining pump. The BMS will activate during pump failure, and will discontinue once a working pump has been found. In the event that a second pump is also faulty, or is not fitted, the system will cycle between pumps in attempt to restart an available pump which may have an intermittent fault, if no success the system will cease operation and report a critical fault. At this point the BMS alarm is continuously active, alerting the operator to this condition.

Pump Pressure Adjustment

The default setting is Pump1 cuts in at 1.5 bar and Pump2 cuts in at 2 bar, both pumps cut out at 3bar (also adjustable).

The pressure you select will of course depend on the height difference between the pressure sensor and point of use, and the required pressure. The pressure at the point of use will decrease by 1 bar per 10m of lift, and so this should be taken into account when setting the pump pressure.

It is advisable to set both pump to cut in at different pressures. Although the control panel will allow the same pressure to be set on both pumps, this would result in unnecessary use of both pumps, and delays the units diagnostic process, should a fault occur.

To attain maximum efficiency, you should select a pump set which can deliver the maximum required pressure within the efficient zone of it's performance curve (before the curve levels off). As centrifugal pumps are less efficient at their maximum rated pressure, and as we have full control of the cut-out pressure, it makes sense to select a pump on the premise that we will be using it with it's most efficient performance characteristics.

In this screen you will also find the option PV chk, this is the pressure vessel test enable/disable option.

Pressure Vessel Test Enable/Disable

This option allows you to disable the monitoring of the condition of the pressure vessel. This is enabled by default and allows the controller to assess the frequency of pump restarts. If the pumps start too often a message is displayed advising that the pressure vessel may need recharging with air, be undersized, or have been isolated from the system.

When disabled, the pressure vessel is no longer monitored. No warning will be displayed of excessively frequent pump restarts. With this option disabled the pumps may be at risk of overheating.

Alarm (Pump Pressure Alarm)

Pump Pressure Alarm

Low High

1.0 8.0 bar

- + Low Exit

Here you can set the alarm pressure for the pumps. This consists of 2 settings, the minimum expected pressure during operation for either of the pumps (below which a pump will be considered inoperative), and the maximum pressure which must not be exceeded for the safety of the system.

The default setting for minimum pressure is 1 bar. In most circumstances this need not be adjusted, however in very large pipe diameters and discharge rates are used in relation to the pump flow rate then pressure in the system may reasonably be expected to fall below this level, hence the alarm pressure would need reducing. Similarly if the lift height above the pumps exceeds 10m, then there will always be more than 1 bar static pressure in the system even if the pumps have failed, therefore this setting would need to be increased by 1 bar per 10m. If pressure falls below this point for more than 10 seconds while pumping, a fault will be registered against the pump in operation and the system will failover to the next available pump.

The default setting for maximum pressure is 8 bar. This is the 'do not exceed' pressure of the discharge system and is necessary to protect pipework and fittings from failure due to an unexpected overpressure. It is set by default to match the rated pressure of typical MDPE pipe and fittings. You should adjust this to match the pressure of the lowest rated component in the discharge line if lower than 8 bar. UV systems and ballcocks often have significantly lower maximum rated pressures. An unexpected overpressure can occur when 2 pumps are connected in series (one after the other) by mistake, or after a loss of air pressure in the pressure vessel (if high pressure pumps are used). If the maximum set pressure is exceeded the system shuts down completely and does not restart until power is isolated and re-applied. This is to ensure intervention to rectify the fault.

Top-up Menu

This submenu controls features related to the mains water top-up to the rainwater tank.

Top-up Cut-in Level Adjustment(Level)

This setting determines the point at which the system will begin to add mains water to the rainwater tank in order to maintain availability of water. The default level is set at 67cm (7cm above the level at which the pumps will be halted), and is fully adjustable.

Top-up Delays

This menu sets the delay timing for top-up overflow and pump restart delays.

Top-up Pump
overflow restarting
delay delay Exit

Top-up Overfill Delay

Once the level in the rainwater tank has been restored to the minimum set level, it is normal to continue to fill beyond this level for a short while. This is done to avoid frequent and unnecessary cycling of the solenoid valve and associated switchgear. The duration of this delay is adjustable here. The maximum delay is 2 days, and minimum is 1 minute. You should try to set the delay such that it is sufficient to cover most instantaneous demands.

Pump Restart Delay

This setting was introduced in version 1.20 to accommodate temporary sensor inaccuracies caused by incorrect top-up installation. In some installations, particularly where the mandatory tundish and air gap have been omitted, the flow of top up water into the tank may cause sufficient turbulence to affect sensor accuracy. This can result in the pump restarting and stopping rapidly as the sensor reading fluctuates around the pump cut-off level. This setting delays the restart of the pump until the required water level has been established for a set period of time.

During commissioning or at any point afterwards, if the pump is found to cut in and out rapidly during mains top-up or after a low level shut off, this setting should be increased until there is no more undue cycling of the pump.

Top-up Duration Alarm

This feature is a safety alarm, designed to halt mains water top-up in the event that the tank level is not restored within a given period of time. This would occur during an event such as a tank failure, solenoid fault, or blocked top-up delivery pipework between solenoid and tank.

In the event that the water level does not reach the Top-up Activation Level within the duration set by the Alarm Time, top-up will cease and an error will be displayed, along with BMS activation. The default setting is 120 minutes, but can be reduced as low as 1 minute.

Diagnostics Menu

Once selected via Button 3, here are three buttons or menu options available under the “Diagnostics” menu.

Input Monitor

Selecting this option shows the status of all sensor inputs to the controller. The following information is displayed.

Line 1, Switched inputs 1 to 5, these are unused on the T Series controller.

Line 2, Rainwater tank level sensor shown in %

Line 3, Delivery line pressure

Output Testing

This option allows you to fire the 230v outputs of the controller.

Button 1 – Top-up solenoid

Button 2 – Unused

Button 3 – Pump1

Button2 – Pump2

Read Stored Fault Codes

This RainForce Controller is equipped with Advanced Fault Tracking, and unlike all other controllers will remember the last 10 faults that have occurred (even after power outage). This gives the Operator much greater insight into any fault, should one occur, as the fault history can be examined, and an informed judgement made.

Fault Code List

Code	Message	Description
6	Rainwater Tank Probe Failure	The rainwater tank level sensor has has been disconnected or has returned an implausible reading
7	Delivery Line Pressure Sensor	The pressure sensor on the delivery line has been disconnected of has returned an implausible reading
9	Mains Top-Up Failure	The mains water top-up solenoid has failed to increase the rainwater tank level beyond the top-up set point within the specified alarm time-out period
11	Abandoning Pump 1	Pump 1 pressure could not reach the low pressure alarm threshold for a continuous 10 seconds. System operation automatically reverts to Pump 2 only
12	Abandoning Pump 2	Pump 2 pressure could not reach the low pressure alarm threshold for a continuous 10 seconds. System operation automatically reverts to Pump 1 only
13	Both Pumps Faulty	Both pumps have fallen below the low pressure alarm threshold for a continuous 10 seconds, several retries have been attempted and failed and the system has shut down to prevent damage
14	Line Pressure Too High	The pressure reported by the delivery line pressure sensor has exceeded the high pressure

		alarm threshold and the system has been shut down to prevent damage to connected pipework
15	Output 1 External Trip (Solenoid Valve Output)	An external circuit protection trip has been detected by closure of Digital Input 2. Check downstream external overcurrent, thermal and residual current protective devices for this output.
17	Output 3 External Trip (Pump1 Output)	An external circuit protection trip has been detected by closure of Digital Input 2. Check downstream external overcurrent, thermal and residual current protective devices for this output.
18	Output 4 External Trip (Pump2 Output)	An external circuit protection trip has been detected by closure of Digital Input 2. Check downstream external overcurrent, thermal and residual current protective devices for this output.
19	Check Pressure Vessel	No pressure vessel was detected. It may need recharging/replacing or may have become isolated.

The following menu Options now available are

Clear Stored Fault Codes

Selecting this option clears all stored fault codes from the controllers memory and also releases any solenoid lock-out condition caused by an external trip or alarm time-out.

Run

Resume operation. Select this to return to the main operational display when configuration/diagnostic is finished.

Stop

At any time while the system is running (i.e. not in a menu setting), the operation of the panel, pumps and solenoid can be halted by pressing STOP. Unlike pressing Menu, this option will activate the BMS output to indicate that the unit has been halted for a purpose other than configuration. It is expected that this button may be used by persons with no knowledge of the system and/or no access to the Operation Manual. Under this setting there are 3 options.

Menu

Enters the main system menu (see 3.3), thus allowing fault to be inspected and cleared.

Wipe Configuration (Wipe Config)

This option (introduced in v1.35 to assist reconfiguration) wipes all configuration settings from memory then restarts the system. Default values will then be loaded and the system will behave as if it were switched on for the first time.

Note – Any options set during commissioning will be lost and need to be re-entered.

Restart

Restarts operation of the system. The BMS activation remains on until fault codes are cleared manually, although no fault code is stored for a manual stop condition as it is not considered a fault.

Optional Failover and Pump Protection Features

Float Switch (Level sensor failure)

Following a detected failure of the level sensor the system will log the appropriate fault code and automatically change to model RT200T, it will then operate from a float switch in the rainwater tank if fitted. In this mode a low water level will inhibit the pump until the top-up cycle is complete (the float switch reaches high level), therefore you should set a relatively small differential on the float switch so as not to impede operation for too long during mains water top-up.

If a working level sensor is connected the system will automatically revert to normal operation (model RF300T) and input from the float switch is then ignored, as usual.

Pressure Switches (Line pressure sensor failure)

Following a failure of the line pressure sensor the system will no longer be aware of the pressure in the delivery line, for most analogue pressure systems this is a critical fault, however RF300T will revert to being triggered by mechanical pressure switches if fitted.

In this mode there is no dry run protection or pump failure detection other than the low water level shut-off, if a pump fails to deliver pressure the system will not know and the pressure reading will always show 0 bar.

When the sensor is replaced the system automatically reverts to analogue pressure sensing and ignores the mechanical pressure switches.

External Trips (Thermal overloads etc)

2 inputs are provided for external fault sensing on each pump, these may be thermal overloads (typical for 3 phase pumps), temperature sensors, individual RCBOs or manual stop buttons. A fault is logged and the pump isolates and fails over to single pump operation in the same way as a pressure related pump fault is detected.

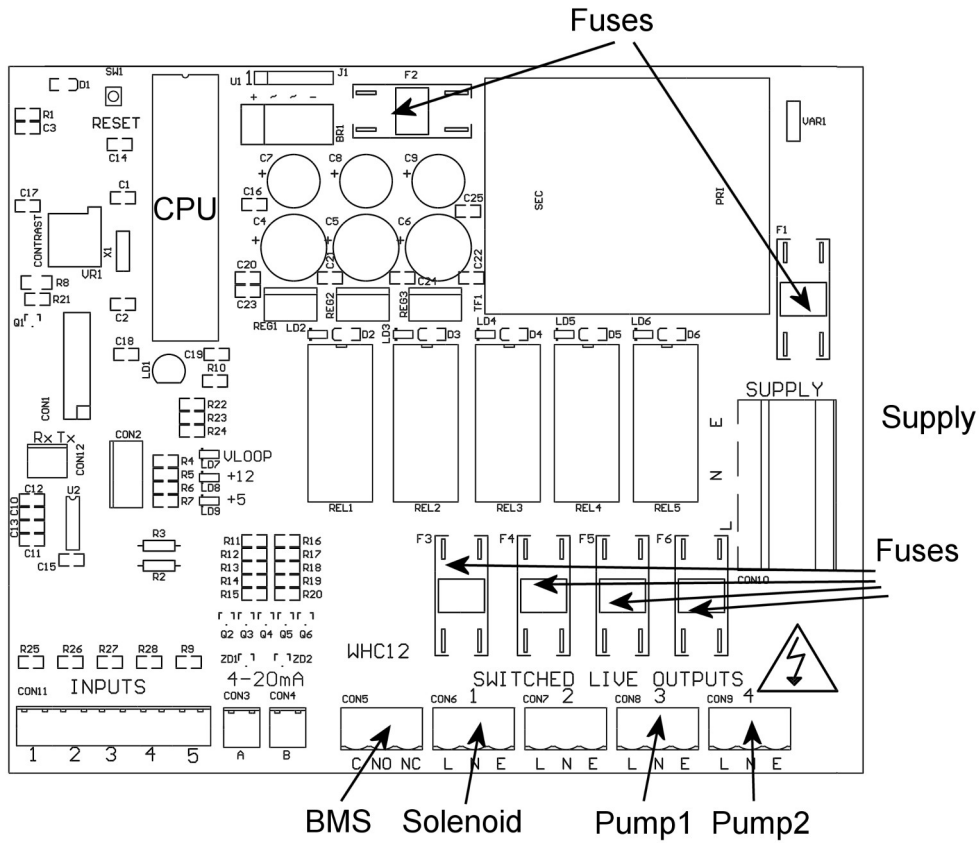
Troubleshooting

Refer to the Safety instructions. No electrical works should be carried out other than by an appropriately qualified Electrician. Permits to work may be required at local site conditions. If in any doubt, consult your system supplier.

Problem	Probable Cause	Solutions
No Power – controller dead – no backlight on LCD	No power supply from distribution board	Check 240 vac 50hz supply at power input terminals.
	Fuse failed	Check Fuse F1
	PCB damaged	Replace PCB, contact manufacturer.
Backlight on – no display – no operation	CPU chip missing	Insert CPU
	CPU chip badly inserted or bent pins	Insert CPU correctly or replace if necessary
	CPU chip wrong way round	Remove and re-insert correctly Replace CPU
	CPU chip faulty	Replace PCB, contact manufacturer.
	PCB damaged	Replace PCB, contact manufacturer.
Controller Frozen – operates normally but keypad unresponsive	Keypad not connected or connected wrongly	Check connection
Controller Frozen – does not operate normally	CPU or oscillator damaged	Replace CPU, if no success replace PCB
Tank level sensor does not function (error 6)	Not connected	Check wiring to controller
	Connected wrongly	Check wiring polarity and correct if needed
	Sensor faulty	Test with loop calibrator, replace sensor if necessary
	Input circuit faulty	Test with loop calibrator, replace PCB if necessary
Tank Level sensor reads incorrectly	Cable vent tube blocked or sealed	Ensure vented section of cable terminates to atmospheric pressure
	Wrong sensor specification installed	Replace with original OEM spec part
	Sensor faulty	Test with loop calibrator, replace if necessary

Line pressure sensor does not function (error 7)	Not connected	Check connection at control panel
	Connected wrongly	Check wiring polarity and correct if necessary
	Sensor faulty	Check with loop calibrator and replace if necessary
	Input circuit faulty	Test with loop calibrator, replace PCB if necessary
Line pressure sensor reads incorrectly	Wrong sensor specification installed	Replace with original OEM spec part
	Sensor faulty	Test with loop calibrator, replace sensor if necessary
	Input circuitry faulty	Test with loop calibrator, replace PCB if necessary
Pump 1 Insufficient or Faulty	Pump not connected	Check wiring
	Pump cannot keep up with demand	Replace with correctly sized pump
	Pump faulty	Replace pump
	(this fault can show temporarily when filling a large header tank for the first time, in which case it should be ignored).	
Pump 2 Insufficient or Faulty	Pump not connected	Check wiring
	Pump cannot keep up with demand	Replace with correctly sized pump
	Pump faulty	Replace pump
	(this fault can show temporarily when filling a large header tank for the first time, in which case it should be ignored).	
Pump 1 Disabled	Pump not connected for over 20 minutes	Check wiring
	Fuse failed on output	Check and replace if necessary Replace with correctly sized

	<p>Pump cannot keep up with demand for over 20 minutes</p> <p>Pump faulty (most likely)</p>	<p>pump</p> <p>Replace pump</p>
Pump 2 Disabled	<p>Pump not connected for over 20 minutes</p> <p>Fuse failed on output</p> <p>Pump cannot keep up with demand for over 20 minutes</p> <p>Pump faulty (most likely)</p>	<p>Check wiring</p> <p>Check and replace if necessary</p> <p>Replace with correctly sized pump</p> <p>Replace pump</p>
Top-up Solenoid Faulty or Insufficient	<p>Solenoid cannot keep up with demand</p> <p>Fuse failed on output</p> <p>Solenoid not connected</p> <p>Solenoid faulty</p>	<p>Replace with correctly sized solenoid</p> <p>Check fuse and replace if necessary</p> <p>Check wiring</p> <p>Test and replace if necessary</p>



Fuse Listing

- F1 – 500mA 20mm quickblow
- F2 – 1A 20mm glass passivated
- F3 – 10A 20mm ceramic HRC
- F4 – 10A 20mm ceramic HRC
- F5 – 10A 20mm ceramic HRC
- F6 – 10A 20mm ceramic HRC

Inputs (left to right) – Con1

- 1 – unused
- 2 – unused
- 3 – unused
- 4 – unused
- 5 – unused

Pressure Sensor Inputs (left to right)

- Con3 (left) – Rainwater tank level sensor
- Con4 (right) – Line pressure sensor

BMS Output

Type – Non contact relay

Terminals – Common, Normally Open, Normally Closed

Power Rating max 10A 230Vac

Pump/Solenoid Control Outputs (left to right)

1 – Top-up solenoid(s)

2 – (reserved for future upgrade)

3 – Pump1

4 – Pump2

Upgrades and Modifications

The following parts of the system can be upgraded at any time without any modification to the control panel.

Replacement/upgrade of pump(s)

Replacement/upgrade of solenoid(s)

Note – there is no need to reprogram or adjust the control panel settings when replacing a pump with one of a different power output or consumption. Diagnostic functions are not dependent on current monitoring.

Installation of 3 phase pump(s) via external contactor/relay.

Software upgrade by either on-site reprogramming, or by CPU replacement. Reprogramming is unlikely to ever be necessary, but is provided for to allow for custom software to be retrofitted to the control panel. It is carried out by an approved engineer via an on-board programming port, or via replacement of the CPU. The CPU is socketed in a 40pin DIP socket for ease of replacement.

When replacing the CPU, always use a proper DIP Extraction Tool, and follow the instruction provided with the replacement CPU.

Warranty

All products are covered by a 12 month limited RTB (Return To Base) warranty against materials and manufacturing defects from the date of purchase. The warranty does not cover malfunctioning due to a failure to properly install and / or commission the product in accordance with the installation instructions. The warranty does not cover modification, physical damage or misuse, or operation outside of the products electrical or environmental limits. The warranty is limited to the repair, replacement or cost of replacement of the product at the discretion of 3P Technik UK Limited and does not cover inconvenience or consequential losses. We do not guarantee continuity of operation of any product under any circumstances. For full details see 3P Technik UK Limited terms and conditions.

Specifications

Control Panel

Dimensions	240mm x 190mm x 110mm
Supply Voltage	230-240 Vac 50Hz
Power Consumption	7w (control panel only)
Operating temperature range	0 to 40 degrees celsius
Ingress Protection (EN60529)	IP65
Electrical Insulation	Class 2

RW Tank Pressure Sensor (300T)

Type	Pressure Transmitter 2 wire
Measurement Range	0-0.6 bar
Input	8 to 30 Vdc
Output	4-20mA

Line Pressure Sensor

Type	Pressure Transmitter 2 wire
Measurement Range	0-10 bar
Input	8 to 30 Vdc
Output	4-20mA

Switched Outputs (pump/solenoid control)

Voltage	230-240vac 50hz (exact voltage as supply voltage)
Current	10A (peak 16A)

Electrical Schematic

RF300T v1.92 Electrical Schematic

